

Electric Stacker



Renowned for its lightweight design and tight turning radius. Commonly employed for short-distance transport and low-level stacking tasks in narrow aisles, retail stores and loading docks.

- **Effortless Maintenance:** Streamlined design with easily accessible components such as the stacker's back cover, for simple assembly and maintenance and for reducing downtime.
- **Maneuverability:** Equipped with a small turning radius, facilitating smooth navigation even in confined spaces. Parts such as the motor and brakes are easily replaceable.
- **Battery Efficiency:** Utilizes an advanced battery system (GEL battery) that requires no maintenance, ensuring prolonged operations without frequent battery upkeep.
- **Enhanced Visibility:** Compact dimensions and thoughtful design provide excellent visibility for the operator, ensuring precise handling and safety during operation.
- **Convenient Charging:** Equipped with a built-in charger for convenient access to power sources, ensuring uninterrupted workflow and ease of charging.
- **Space Optimization:** Comparable turning radius and aisle width to a manual stacker, allowing it to efficiently operate in tight spaces.
- **Stability Focus:** Engineered with a design that prioritizes a stable 4-point structure and a lowered center of gravity, ensuring utmost stability and safety while handling heavy loads.

For more information, please visit: www.linconson.com

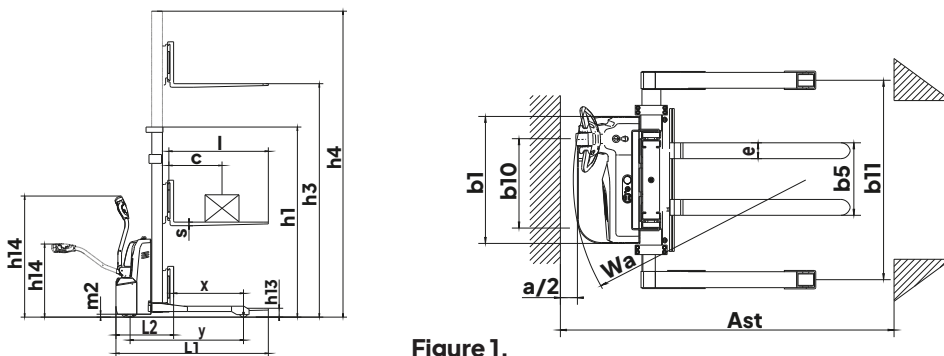


Figure 1.

Electric Stacker

Model LI-ESS35-15



Versatile Stacking Solutions
Stackers by Linconson Industries

		Model	LI-ESS35-15
General Information	Drive: electric (battery type, mains, ...), diesel, petrol, fuel gas		Electric
	Operator type: hand, pedestrian, standing, seated, order-picker		Pedestrian
	Rated capacity/rated load		1500 (kg) 3306.9 (lb)
	Load centre distance	C	600 (mm) 1 ft 11.6 in
	Load distance, centre of drive axle to fork	X	800 (mm) 2 ft 7.5 in
	Wheelbase	y	1350 (mm) 4 ft 5.1 in
Weight	Service weight		580/ 645/ 665 (kg) 1278.7/1422/1466.1 (lb)
	Axle loading, laden front/rear		600/ 1715 (kg) 1322.8/ 3780.9 (lb)
	Axle loading, unladen front/rear		560/ 225 (kg) 1234.6/ 496 (lb)
Tires	Tires: solid rubber, superelastic, pneumatic, polyurethane		Polyurethane (PU)
	Tire size, front		Φ195 x 70 (mm) Φ7.7 x 2.8 (in)
	Tire size, rear		Φ98 x 82 (mm) Φ3.9 x 3.2 (in)
	Additional wheels (dimensions)		Φ150 x 60 (mm) Φ5.9 x 2.4 (in)
	Wheels, number front/rear (x = driven wheels)		1X+1/ 2
	Tread, front	b10	523 (mm) 1 ft 8.6 in
	Tread, rear	b11	1066 - 1466 (mm) 3 ft 6 in - 4 ft 9.7 in
	Dimensions	Height, mast lowered	h1
Max. lift height		h3	1600/ 2500/ 3000/ 3300/ 3500 (mm) 5 ft 3 in/ 8 ft 2.4 in/ 9 ft 10.1 in/ 10 ft 9.9 in/ 11 ft 5.8 in
Height, mast extended		h4	2145/ 3145/ 3645/ 3995/ 4145 (mm) 7 ft 0.4 in/ 10 ft 3.8 in/ 11 ft 11.5 in/ 13 ft 1.3 in/ 13 ft 7.2 in
Height drawbar in driving position min./max.		h14	670/ 1300 (mm) 2 ft 2.4 in/ 4 ft 3.2 in
Height, lowered		h13	70 (mm) 2.8 (in)
Overall length		L1	1786/ 1866 (mm) 5 ft 10.3 in / 6 ft 1.5 in
Length to face of forks		L2	717 (mm) 2 ft 4.2 in
Overall width		b1/b2	1182 - 1582 (mm) 3 ft 10.5 in - 5 ft 2.3 in
Fork dimensions DIN ISO 2331		s / e/ l	35/ 100/ 1070 (1150) (mm) 1.4 in/ 3.9 in/ 3 ft 6.1 in (3 ft 9.3 in)
Fork spread		b5	200 - 800 (mm) 7.9 in/ 2 ft 7.5 in
Ground clearance, centre of wheelbase		m2	65 (mm) 2.6 (in)
Aisle width for pallets 1000 x 1200 crossways		Ast	2366 (mm) 7 ft 9.2 in
Aisle width for pallets 800 x 1200 lengthways		Ast	2300 (mm) 7 ft 6.6 in
Turning radius		Wa	1530 (mm) 5 ft 0.2 in
Performance Data	Travel speed, laden/unladen	km/h	4.5/ 5
	Lift speed, laden/unladen	m/s	0.08/ 0.14
	Lowering speed, laden/unladen	m/s	0.12/ 0.1
	Gradeability, laden/unladen	%	6/ 15
	Max. gradeability, laden/unladen	%	6/ 15
	Service brake		Electromagnetic
Motors	Drive motor rating S2 60 min	kW	0.65
	Lift motor rating at S3 15%	kW	2.2
	Battery voltage/nominal capacity K5	V/Ah	24/ 125
	Battery weight		70 (kg) 154.3 (lb)
	Sound pressure level at the driver's seat	dB (A)	70

*Refer to Figure 1. for additional info for abbreviation references (eg. h14).